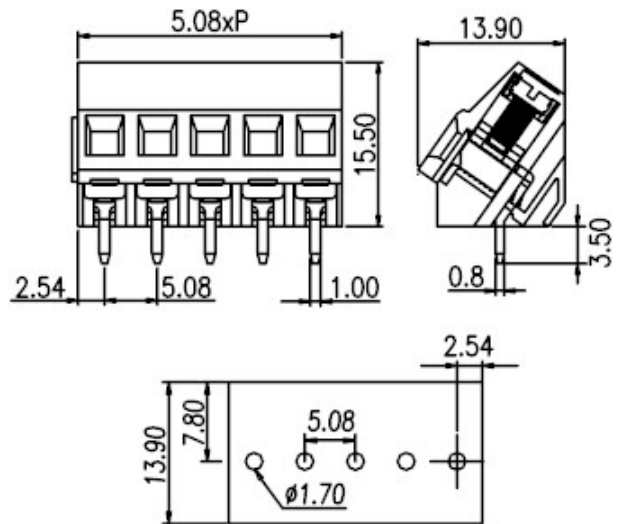
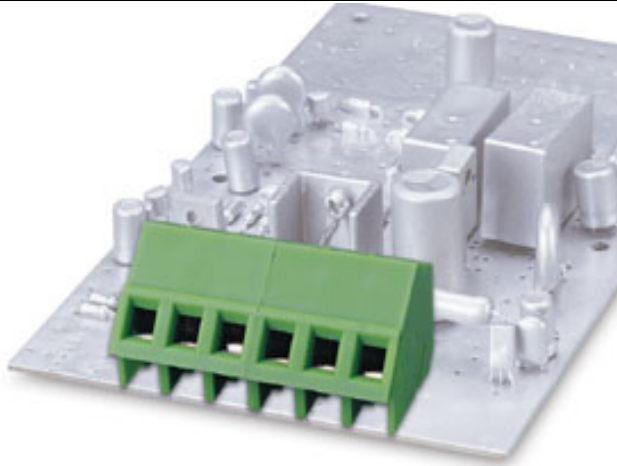


European P.C.B. type terminal blocks / EK series



EK508A



Pitch: 5.08mm

| | | |
|--------------------------------------|----------------|--------------------|
| Approval | | |
| Technical Data | UL | IEC |
| Rated voltage | 300V | 250V |
| Rated current | 20A | 10A |
| Wire range | | 2.5mm ² |
| Solid wire (AWG) | 24~12 | |
| Stranded wire (AWG/mm ²) | 24~12 | |
| Rated surge voltage (UL/IEC/Max.) | 1.6 / 2 / 3 KV | |
| Torque (Lb-in) | 4.4 | |
| Screw | M2.5 | |
| Wire strip length | 6~7mm | |
| Pole | Cat. No. | |
| 02 | EK508A-02P | |
| 03 | EK508A-03P | |
| | | |
| | | |

TEL: +886-2-2908-0614

FAX: +886-2-2908-8549

E-mail: infor@dinkle.com.tw