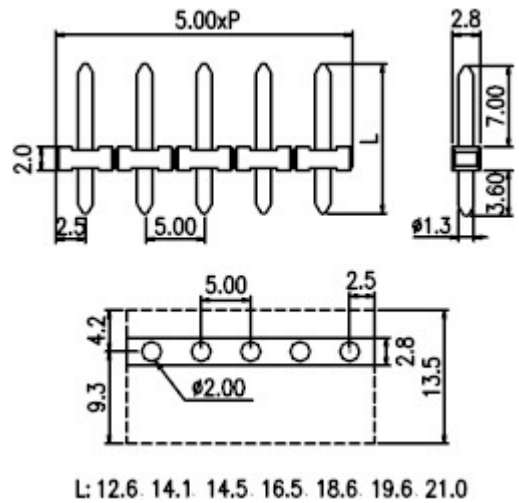
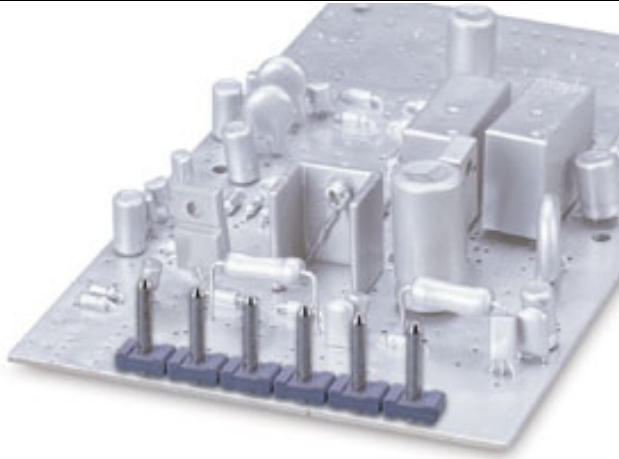


Wire protector type terminal blocks / ED series



EDH130F



Pitch: 5.00mm

Approval		
Technical Data	UL	IEC
Rated voltage	300V	250V
Rated current	7A	10A
Wire range		
Solid wire (AWG)		
Stranded wire (AWG/mm ²)		
Rated surge voltage (UL/IEC/Max.)	1.6 / 2 / 4 KV	
Torque (Lb-in)		
Screw		
Wire strip length		
Pole	Cat. No.	
02	EDH130F-02P/L	
:	:	
:	:	
24	EDH130F-24P/L	

TEL: +886-2-2908-0614

FAX: +886-2-2908-8549

E-mail: infor@dinkle.com.tw