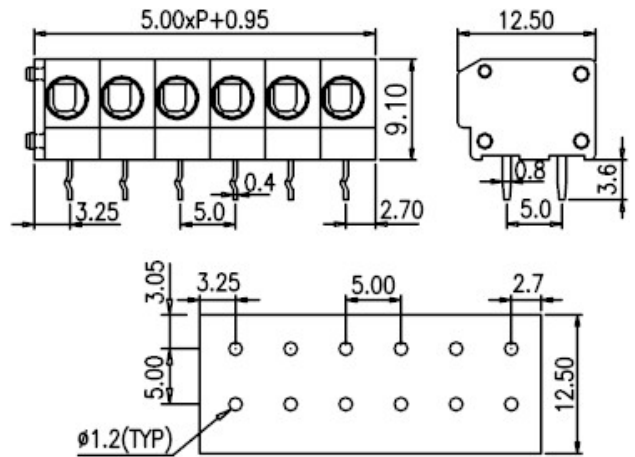
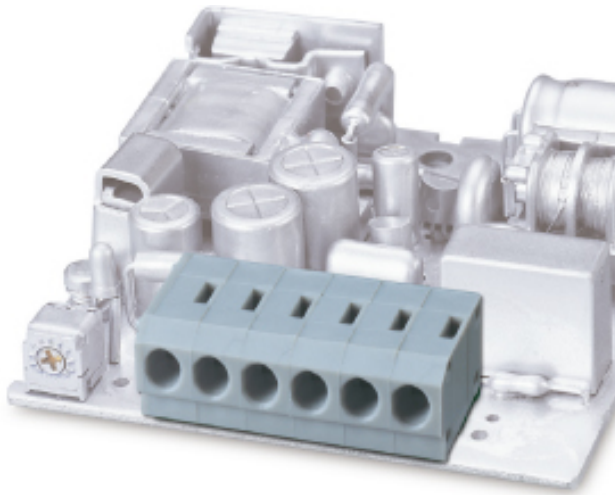





Mini type, simple type cage clamp terminal blocks / 144 series



144R-..P



Pitch: 5.00mm

Approval	  	
Technical Data	UL	IEC
Rated voltage	300V	450V
Rated current	10A	24A
Wire range	2.5mm <sup>2</sup>	
Solid wire (AWG)	20~14	
Stranded wire (AWG/mm <sup>2</sup> )	20~14	
Rated surge voltage (UL/IEC/Max.)	1.6 / 2.5 / 4 KV	
Torque (Lb-in)		
Wire strip length	6~7mm	
End Cover	144E	
Pole	Cat. No.	
02	144R-02P	
:	:	
:	:	
24	144R-24P	

TEL: +886-2-2908-0614

FAX: +886-2-2908-8549

E-mail: [infor@dinkle.com.tw](mailto:infor@dinkle.com.tw)