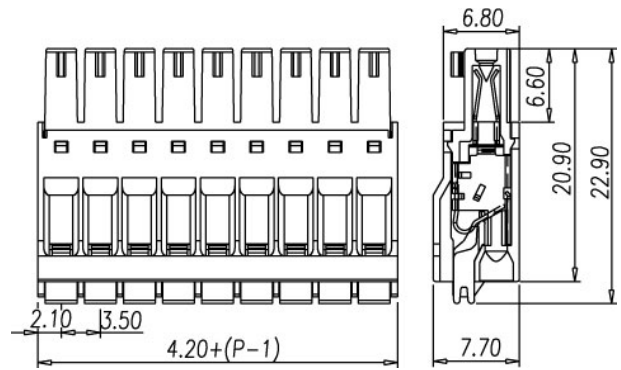
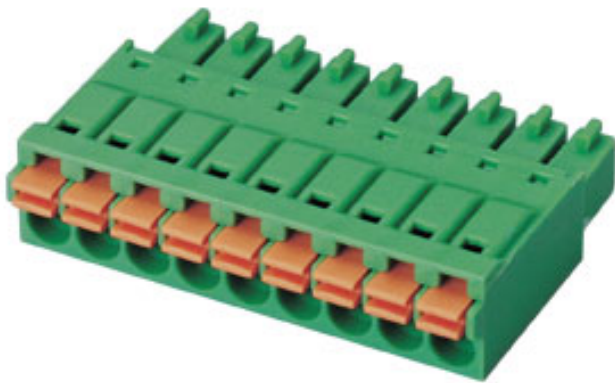


Spring plugs for pluggable terminal blocks / 0221 series



0221-20XX



Pitch: 3.50mm

Approval	UL	
Technical Data	UL	IEC
Rated voltage	300V	250V
Rated current	8A	6A
Wire range		1.0mm ²
Solid wire (AWG)	24~16	
Stranded wire (AWG/mm ²)	24~16	
Rated surge voltage (UL/IEC/Max.)	1.6 / 2 / KV	
Torque (Lb-in)		
Screw		
Wire strip length	10mm	
Pole	Cat. No.	
02	0221-2002	
:	:	
:	:	
20	0221-2020	

TEL: +886-2-2908-0614

FAX: +886-2-2908-8549

E-mail: infor@dinkle.com.tw