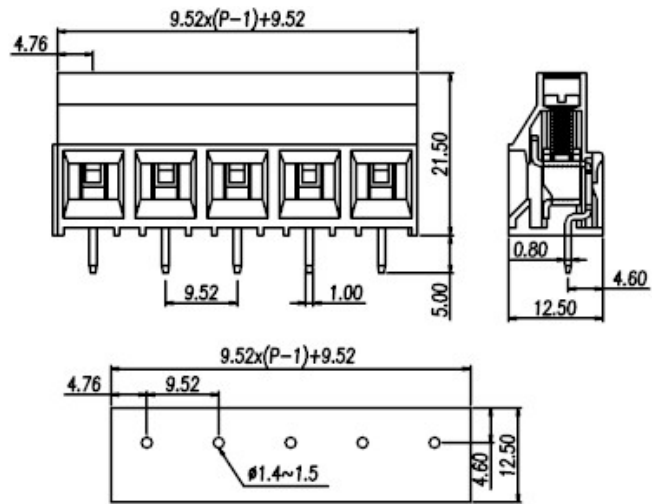
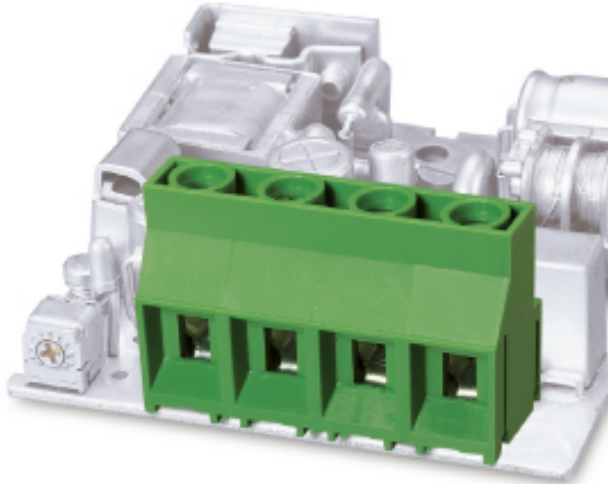


European P.C.B. type terminal blocks / EK series



EK950V



Pitch: 9.52mm

Approval		
Technical Data	UL	IEC
Rated voltage	300V / 600V	750V
Rated current	30A / 5A	32A
Wire range	4.0mm ²	
Solid wire (AWG)	26~10	
Stranded wire (AWG/mm ²)	26~10	
Rated surge voltage (UL/IEC/Max.)	2.2 / 3 / 4 KV	
Torque (Lb-in)	4.4	
Screw	M3	
Wire strip length	6~7mm	
Pole	Cat. No.	
02	EK950V-02P	
03	EK950V-03P	

TEL: +886-2-2908-0614

FAX: +886-2-2908-8549

E-mail: infor@dinkle.com.tw